

Project: _____ Type: _____

Product Features

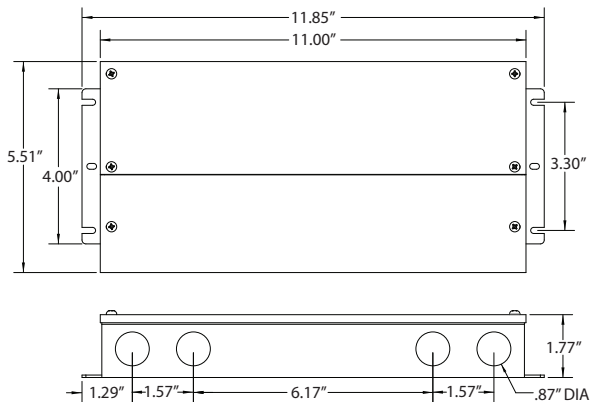
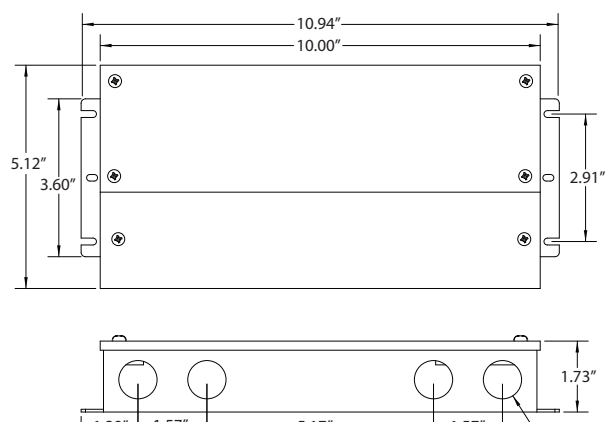
- Constant Voltage Output
- Universal 100-277VAC Input
- Multi Channels
- Class 2
- Class A Sound Rating
- Power Factor up to 0.99
- 10 - 100% load
- Variety of dimming options: ELV, MLV, TRIAC, 0-10V and PWM
- Wet location
- Short circuit, overload and over heat protection
- Built-in active PFC function
- Flicker-free
- 3 Year Warranty



Dimensions

10.94"(L) x 5.12"(W) x 1.73"(H)
INF-J-180-3-5-12, INF-J-192-2-4-24

11.85"(L) x 5.51"(W) x 1.77"(H)
INF-J-288-3-4-24, INF-J-300-5-5-12



Order and Specification Guide

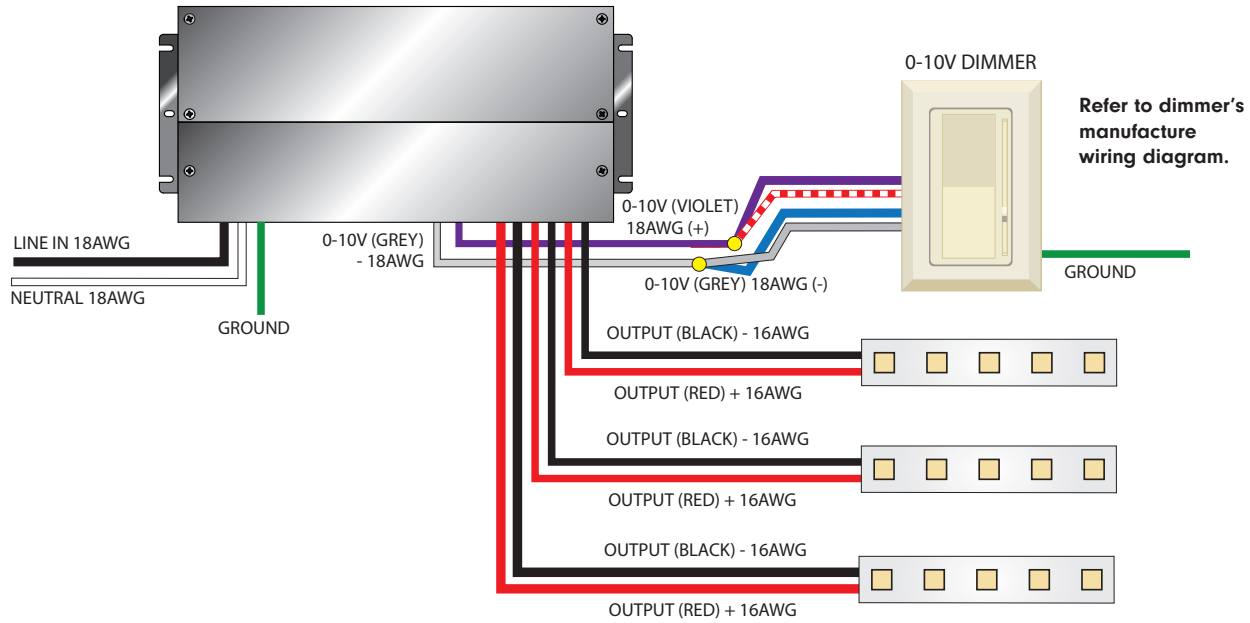
CAT NO.	INF-J-180-3-5-12	INF-J-192-2-4-24
DC Voltage	12V	24V
Transformer Classification	Class 2	
Rated Current	5A (each circuit)	4A (each circuit)
Rated Power	180W	192W
Number of Channel(s)	3	2
Dimming	Forward Phase (MLV), TRIAC, Reversed Phase (ELV), 0-10V, PWM	
Voltage Regulation	±0.5%	
Output		
Input Voltage	100-277VAC	
Frequency Range	47-63Hz	
Power Factor (Typ.) @ full load	0.99@120VAC 0.94@277VAC	0.99@120VAC 0.94@277VAC
THD (Typ.) @ full load	<20%	
Efficiency (Typ.) @ full load	86% @120VAC 88% @277VAC	87% @120VAC 89% @277VAC
AC Current (Max.)	2.2A @100VAC	2.3A @100VAC
Inrush Current (Typ.)	9A, 50%, 1.3ms @120VAC 38A, 50%, 960us @277VAC	
Physical		
Net Weight	4.9 lbs	
Dimension	10.94"(L) x 5.12"(W) x 1.73"(H)	
Protection		
Short Circuit	Shut down o/p voltage, re-power on to reset the condition	
Over loading	≥120% shutdown o/p voltage, re-power to reset the condition	
Over heating	100 °C ± 10 °C shut down o/p voltage, automatically recover after cooling	
Environment		
Working Temp.	-40 ° to +60 °C (-40 ° to 140 °F)	
Working Humidity	20-90% RH, non-condensing	
Storage Temp	-40 ° to +80 °C (-40 ° to 176 °F)	
Storage Humidity	10-95% RH	
Temp. Coefficient	±0.03%/°C (0-50 °C)	
Vibration	10-500Hz, 5G 10 min./1 cycle, period for 60 min., each along X, Y, Z axis	
Safety Compliance & EMC		
Certification	UL 8750, Type HL UL 1310	
Sound Rating	Class A - SPL (dba) 16.8 @ 20% 16.4 @ 100%	
Environment	Wet Location	
Withstand Voltage	I/P-O/P:1.88KVAC	
Isolation Resistance	I/P-O/P:100M Ω/500VDC/25 °C/70%RH	
EMC Emission	FCC 47 CFR Part 15, Subpart B	

Order and Specification Guide

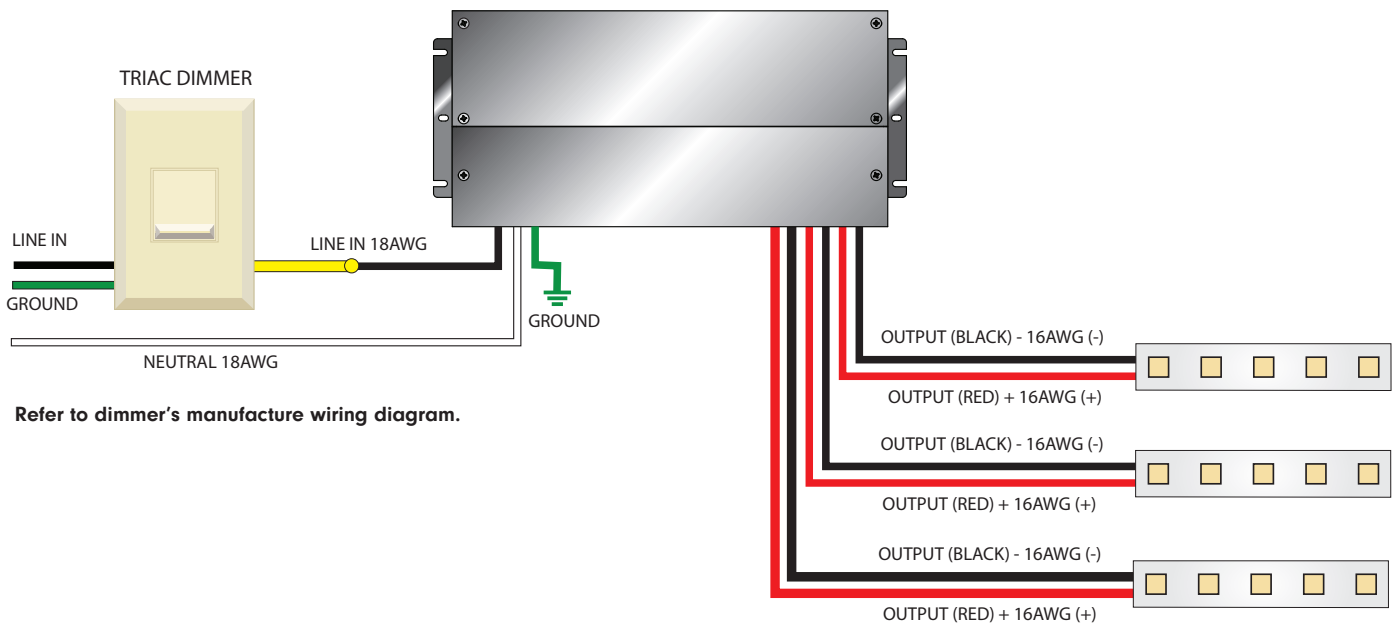
CAT NO.	INF-J-288-3-4-24	INF-J-300-5-5-12
DC Voltage	24V	12V
Transformer Classification	Class 2	
Rated Current	4A (each circuit)	5A (each circuit)
Rated Power	288W	300W
Number of Channel(s)	3	5
Dimming	Forward Phase (MLV), TRIAC, Reversed Phase (ELV), 0-10V, PWM	
Voltage Regulation	±0.5%	
Output		
Input Voltage	100-277VAC	
Frequency Range	47-63Hz	
Power Factor (Typ.) @ full load	0.99@120VAC 0.95@277VAC	0.99@120VAC 0.95@277VAC
THD (Typ.) @ full load	<20%	
Efficiency (Typ.) @ full load	87% @120VAC 91% @277VAC	87% @120VAC 90% @277VAC
AC Current (Max.)	3.4A @100VAC	3.6A @100VAC
Inrush Current (Typ.)	35A, 50%, 960us @ 120V AC 43A, 50%, 1ms @ 277V AC	
Physical		
Net Weight	5.30 lbs.	5.45 lbs.
Dimension	11.85"(L) x 5.51"(W) x 1.77"(H)	
Protection		
Short Circuit	Shut down o/p voltage, re-power on to reset the condition	
Over loading	≥120% shutdown o/p voltage, re-power to reset the condition	
Over heating	100°C ± 10°C shut down o/p voltage, automatically recover after cooling	
Environment		
Working Temp.	-40° to 60°C (-40° to 140°F)	
Working Humidity	20-90% RH, non-condensing	
Storage Temp	-40° to 80°C (-40° to 176°F)	
Storage Humidity	10-95% RH	
Temp. Coefficient	±0.03%/°C (0-50°C)	
Vibration	10-500Hz, 5G 10 min./1 cycle, period for 60 min., each along X, Y, Z axis	
Certification and Testing		
Certification	UL 8750, Type HL UL 1310	
Sound Rating	Class A	
Environment	Wet Location	
Withstand Voltage	I/P-O/P:1.88KVAC	
Isolation Resistance	I/P-O/P:100M Ω/500VDC/25°C/70%RH	
EMC Emission	FCC 47 CFR Part 15, Subpart B	

Wiring Diagram

PWM, 0-10V Dimmer Diagram



MLV, ELV, TRIAC Dimmer Diagram



Dual Dimmer Diagram

